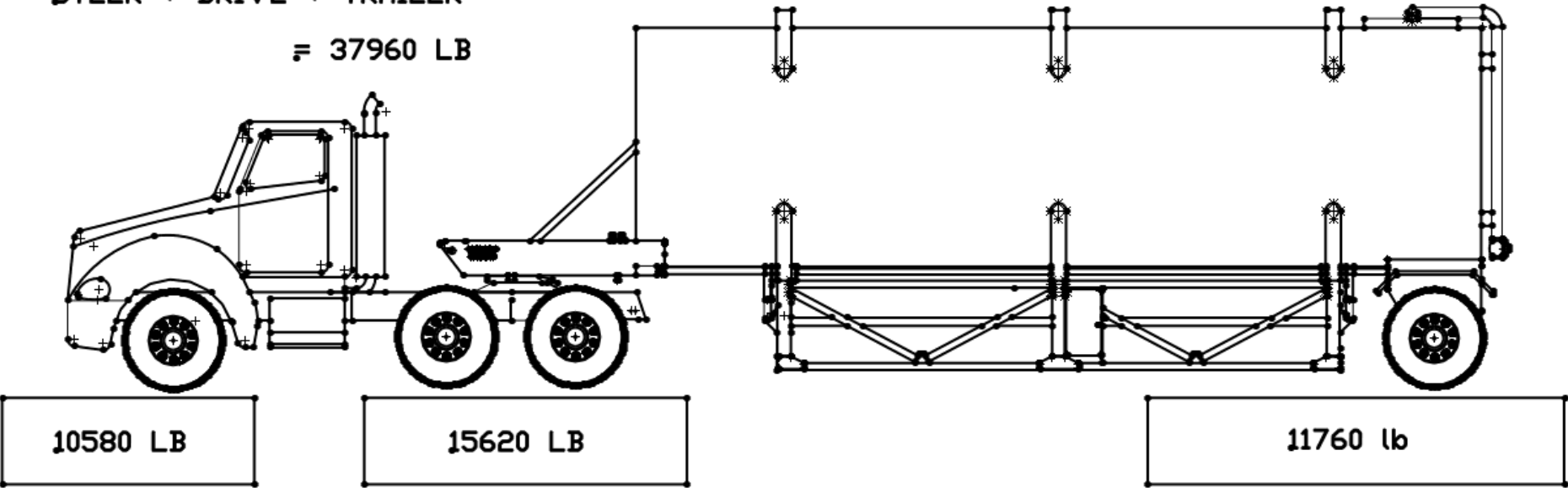


19040 LB
TRAILER WEIGHT

20,000 LB TRAILER AXLE

GROSS = AXLES:
STEER + DRIVE + TRAILER
= 37960 LB



10580 LB
STEER AXLE

15620 LB
DRIVE AXLE

11760 lb
TRAILER AXLE

STEER AXLE

DRIVE AXLE

TRAILER AXLE